

Instrument Mounting Brackets Model 910.16

WIKA Data Sheet AC 09.07

Applications

- For mounting pressure gauge and other indicating instruments

Adapter-type mounting bracket

Design

For versions to DIN 16 281 the instrument mounting bracket is designed as a two-piece clamp.

With the split clamp of the other versions, instruments with fixed lines connected, e.g. diaphragm seals with capillaries, can also be easily mounted in the bracket by feeding them in from the side and clamping them.

DIN 16 281 version, Form H, for wall mounting

Aluminium casting, with powder coating, black, stainless steel 1.4571, welded, pickled, stock-finish

DIN 16 281 version, Form A, for wall, pipe or support mounting

Malleable cast iron, hot-galvanised, with powder coating, black

Pipe mounting version to fit DN 20 to DN 80 (¾ to 3 in.) pipe size

Steel, zinc-plated

Adapter

Process connection G ½ B / G ½ and ½ NPT per EN 837-1 from brass, steel or stainless steel 1.4571

Direct fitting instrument mounting bracket

The instrument bracket has a 30 mm diameter to hold the pressure gauge directly around its 22 mm square shank. No additional adapter is required.

Bracket for wall mounting

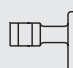
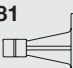
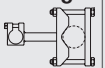
Steel with silver paint finish

Bracket for pipe mounting to fit DN 20 to DN 80 (¾ to 3 in.) pipe size


Steel with silver paint finish


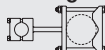


Fig. left: Instrument mounting bracket, Al; DIN 16 281, Form H; Fig. right: Adapter G ½ / G ½ B

Design per/for	Extension L ± 3	Material	Weight in kg	Order no.
DIN 16 281 Form H 	60 mm	Al	0.15	9091840
	100 mm	Al	0.18	9091858
	160 mm	Al	0.26	9091866
	60 mm	1.4571	0.17	9091874
	100 mm	1.4571	0.21	9091882
	160 mm	1.4571	0.26	9091890
DIN 16 281 Form A 	100 mm	Malleable iron	0.84	9094954 1)
	100 mm	iron	0.84	2037424 2)
Pipe mounting 	100 mm	Steel	0.5	9091904

1) without clamp
2) with clamp

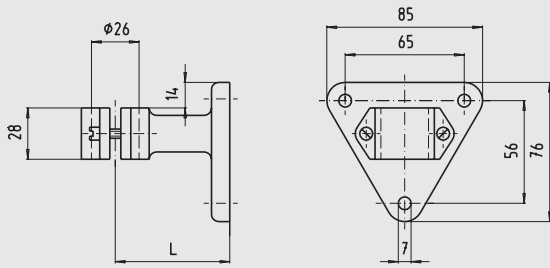
Design	Connection	Material	Weight in kg	Order no.
Adapter 	G ½	Ms	0.25	9090762
	G ½	Steel	0.23	9090770
	G ½	1.4571	0.23	9091270
	½ NPT	1.4571	0.23	9091416

Design for	Extension L ± 3	Material	Weight in kg	Order no.
Wall mounting 	100 mm	Steel	0.5	9091998
Pipe mounting 	100 mm	Steel	0.3	9091912

Dimensions in mm

Adapter-type instrument mounting bracket

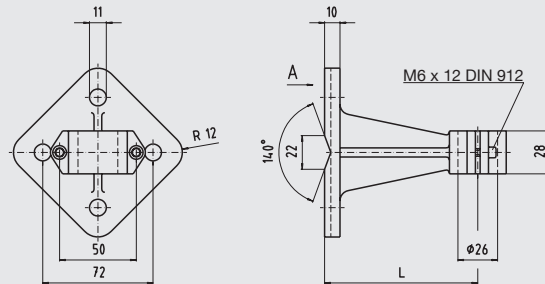
Instrument mounting bracket for wall mounting
DIN 16 281, Form H



1243659.01

Adapter-type instrument mounting bracket

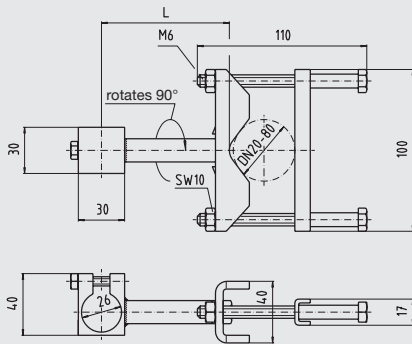
Instrument mounting bracket for wall, pipe or support mounting
DIN 16 281, Form A



1035690.01

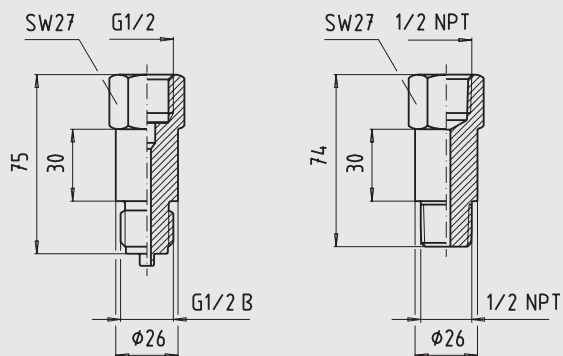
Adapter-type instrument mounting bracket

Instrument mounting bracket for pipe mounting



1035592.01

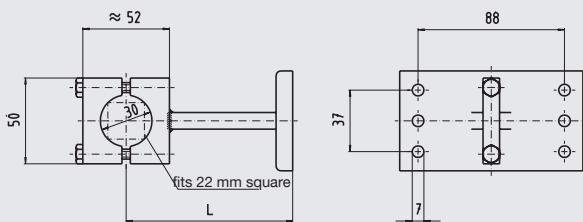
Adapter



1035584.01

Direct fitting instrument mounting bracket

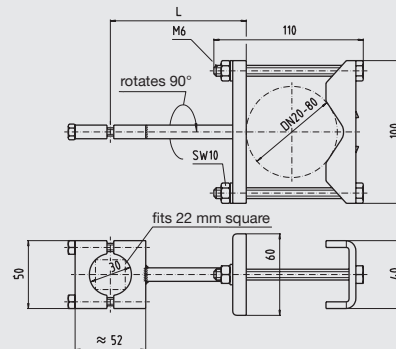
Instrument mounting bracket for wall mounting



1035703.01

Direct fitting instrument mounting bracket

Instrument mounting bracket for pipe mounting



1035681.01

Ordering information

To order the described products the 7-digit order number is sufficient. Options should be stated separately.

Specifications and dimensions given in this leaflet represent the state of engineering at the time of printing. Modifications may take place and materials specified may be replaced by others without prior notice.



WIKAI Alexander Wiegand GmbH & Co. KG
Alexander-Wiegand-Straße 30
63911 Klingenberg/Germany
Tel. (+49) 9372/132-0
Fax (+49) 9372/132-406
E-mail info@wika.de
www.wika.de